

# YELLOW TOP - 871 176 000 888 2

## General information

<b>OPTIMA Part No.</b>	<b>871 176 000 888 2</b>
<b>European Type No (ETN)</b>	<b>871 176 000</b>
<b>HKB</b>	<b>YT S 2,7</b>
<b>Packing Unit</b>	<b>1</b>
<b>Article status</b>	<b>001</b>

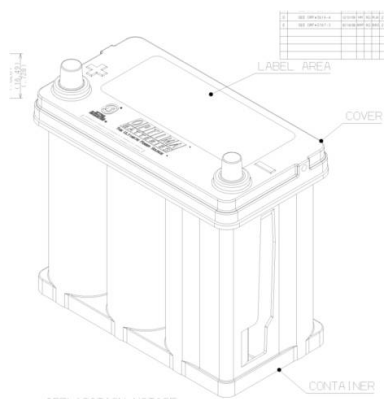
## Technical information

<b>Voltage [V]</b>	<b>12</b>	<b>Length [mm]</b>	<b>237</b>
<b>Capacity (Ah)</b>	<b>38</b>	<b>Width [mm]</b>	<b>129</b>
<b>Cold-test Current, DIN [A]</b>		<b>Height [mm]</b>	<b>227</b>
<b>Cold-test Current, EN [A]</b>	<b>460</b>	<b>Clamping height</b>	<b>201</b>
<b>Terminal Type</b>	<b>1</b>	<b>Case size</b>	<b>51 (BCI)</b>
<b>Hold-down</b>	<b>B00</b>		

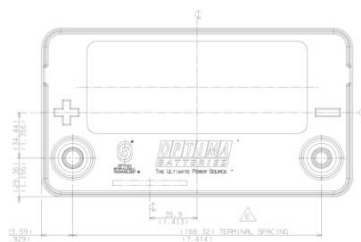
## Pictures



Photo



Technical Drawing



Terminal Placement